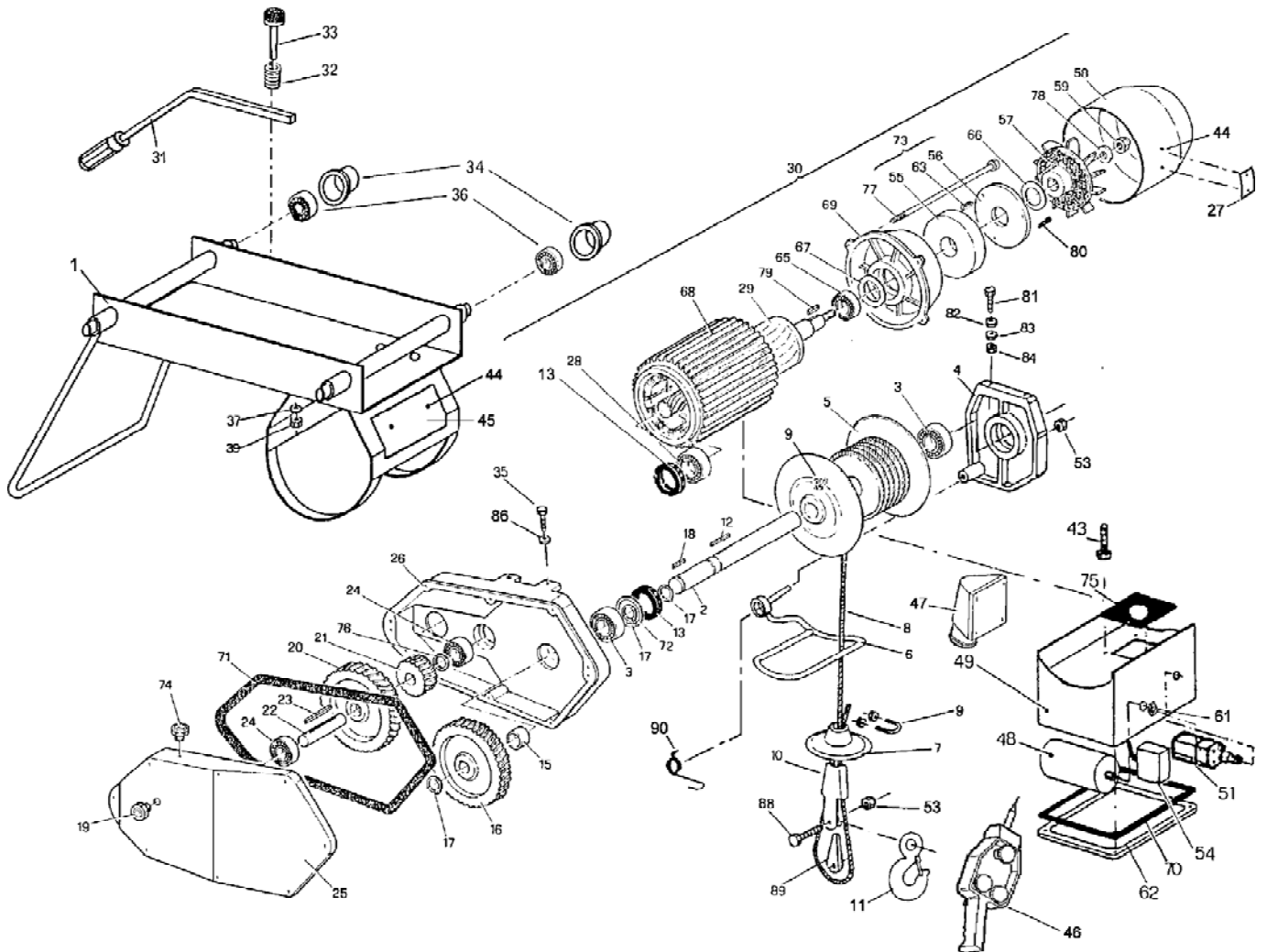


| TAV. 2 | | I | F | GB | D | E | ET 300 |
|--------|---------|-----------------------------|-----------------------------|-----------------------|------------------------|----------------------------|--------------|
| RIF. | COD. | ELEVATORE | ELEVATEUR | HOIST | WINDE | ELEVADOR | NOTE |
| 1 | 3213578 | TELAIO | CHÂSSIS | FRAME | GESTELL | BASTIDOR | |
| 2 | 2201723 | ALBERO TAMBURIO | ARBRE TAMBOUR | DRUM SHAFT | TROMMELWELLE | EJE DE TAMBOR | |
| 3 | 2204550 | CUSCINETTO | PALIER | BEARING | LAGER | COJINETE | 6205 |
| 4 | 2203155 | SUPPORTO TAMBURIO | SUPPORT TAMBOUR | DRUM SUPPORT | TROMMELLAGER | SOPORTE DE TAMBOR | |
| 5 | 2261356 | TAMBURIO | TAMBOUR | DRUM | TROMMEL | TAMBOR | |
| 6 | 2260002 | LEVA FINECORSÀ SALITA | LEVIER DE FIN DE COURSE | LIMIT LEVER | HEBEL | PALANCA FINAL DE CARRERA | |
| 7 | 2214242 | CONTRAPPESO | CONTREPOIDS | CABLE WEIGHT | GEGENGEWICHT | CONTRAPESO | |
| 8 | 2212325 | FUNE ACCIAIO | CÂBLE EN ACIER | WIRE ROPE | STAHLSEIL | CABLE DE ACERO | |
| 9 | 2239400 | MORSETTO | BORNE | CLAMP | KLEMME | BORNE | |
| 10 | 2206002 | BOZZELLO A CUNEO | CÔNE POUR CÂBLE | WEDGE BLOCK | SEILBLOK | GARRUCHA EN FORMA DE CUÑA | |
| 11 | 2213267 | GANCIO | CROCHET | HOOK | ZUGHAKEN | GANCHO | |
| 12 | 2229400 | LINGUETTA | LANGUETTE | KEY | FEDER | LENGÜETA | 6604 8X7X30 |
| 13 | 2207355 | ANELLO PARAOLIO | BAGUE D'ÉTANCHÉITÉ | OIL SEAL RING | ÖLABDICHTUNG | ANILLO DE RETIN | 52x25x7 |
| 15 | 2237299 | DISTANZIALE | ENTRETOISE | SPACER | DISTANZRING | SEPARADOR | |
| 16 | 2202568 | INGRANAGGIO | ENGRENAGE | GEAR | ZAHNRAD | ENGRANAJE | Z.76 M2 |
| 17 | 2227280 | ANELLO ARRESTO | BAGUE D'ARRÊT | CIRCLIP | ARRETIERRING | ANILLO DE PARADA | 7435 E/25 |
| 18 | 2229450 | LINGUETTA | LANGUETTE | KEY | FEDER | LENGÜETA | 8x7x20 |
| 19 | 2235420 | LIVELLO OLIO | NIVEAU HUILE | OIL LEVEL PLUG | SCHAUGLAS | NIVEL ACEITE | |
| 20 | 2202567 | INGRANAGGIO | ENGRENAGE | GEAR | ZAHNRAD | ENGRANAJE | Z.76 M1.75 |
| 21 | 3213481 | INGRANAGGIO | ENGRENAGE | GEAR | ZAHNRAD | ENGRANAJE | Z.26 M2 |
| 22 | 2201130 | ALBERO PIGNONE | ARBRE PIGNON | PINION SHAFT | RITZELWELLE | EJE DEL PIÑÓN | |
| 23 | 2229327 | LINGUETTA | LANGUETTE | KEY | FEDER | LENGÜETA | 6x6x40 |
| 24 | 2204440 | CUSCINETTO | PALIER | BEARING | LAGER | COJINETE | 6004 |
| 25 | 2236555 | FLANGIA RIDUTTORE | BRIDE RÉDUCTEUR | REDUCTION GEAR FLANGE | FLANSCH | BRIDA DEL REDUCTOR | |
| 26 | 2215165 | CARCASSA RIDUTTORE | CARCASSE RÉDUCTEUR | REDUCTION GEAR CASING | GETRIEBEGEHÄUSE | CARCASA DEL REDUCTOR | |
| 27 | 3213484 | TARGA MOTORE | PLAQUETTE | RATING PLATE | SCHILDERKIT | CHAPA DE MATRÍCULA | |
| 28 | 2204391 | CUSCINETTO | PALIER | BEARING | LAGER | COJINETE | 6205 2z |
| 29 | 3213478 | ROTORE | ROTOR | ROTOR | LÄUFER | ROTOR | |
| 30 | 3213580 | MOTORE ELETTRICO | MOTEUR | ELECTRIC MOTOR | KOMPLETTER MOTOR | MOTOR | |
| 31 | 3213581 | LEVA FRENO | LEVIER FREIN | BRAKE LEVER | HEBEL | PALANCA FRENO | |
| 32 | 2231507 | MOLLA FRENO | RESSORT | SPRING | FEDER | MUELLE | |
| 33 | 2253871 | PISTONE FRENO | FREIN | BRAKE | BREMSE | FRENO | |
| 34 | 2211600 | RUOTINA | ROUE | WHEEL | RAD | RUEDA | |
| 35 | 2222099 | VITE | VIS | SCREW | SCHRAUBE | TORNILLO | 5737 M10x40 |
| 36 | 2204482 | CUSCINETTO | PALIER | BEARING | LAGER | COJINETE | 6203 |
| 37 | 2224355 | ROSETTA ELASTICA | RONDELLE ELASTIQUE | SPRING WASHER | UNTERLEGSSCHEIBE | ARANDELA ELÁSTICA | 6798A Ø 10 |
| 39 | 2223650 | DADO | ECROU | NUT | MUTTER | TUERCA | 5588 M10 |
| 43 | 2222460 | VITE | VIS | SCREW | SCHRAUBE | TORNILLO | M4x12 |
| 44 | 2288791 | RIVETTO | RIVET | RIVET | ALIUNET | REMACHE | |
| 45 | 3213583 | TARGA ELEVATORE | PLAQUETTE | RATING PLATE | SCHILDERKIT | CHAPA DE MATRÍCULA | |
| 46 | 3213015 | PULSANTIERA | BOITE À BOUTONS | CONTROL BOARD | STEUERSCHALTER | BOTONERA | |
| 47 | 3203503 | SPINA A PARETE | FICHE D'ÉTANCHÉITÉ | ELECTRIC CONNECTOR | STECKER | ENCHUFE DE PARED | V230 IP67 |
| 48 | 2285306 | CONDENSATORE | CONDENSATEUR | CAPACITOR | KONDENSATOR | CONDENSADOR | 45 µF, 450 V |
| 49 | 3203922 | CASSETTA ELETTRICA | BOÏTER ÉLECTRIQUE | JUNCTION BOX | GEHÄUSE | CAJA ELÉCTRICA | |
| 51 | 3200005 | MICROINTERRUTTORE | FIN DE COURSE MONTEE | UP LIMIT SWITCH | ENDSCHALTER SENKEN | FINAL DE CARRERA SUBIDA | |
| 53 | 2223920 | DADO AUTOBLOCCANTE | ECROU DE SURETE | SELF LOCKING NUT | SELBSTSICHERNDE MUTTER | TUERCA AUTOBLOQUEANTE | M.10 |
| 54 | 3213053 | RADDRIZZATORE FRENO | ELECTRO-AIMANT FREIN | BRAKE RECTIFIER | BREMSENSPESEGERÄT | RECTIFICADOR FRENO | |
| 55 | 2287145 | ELETTROMAGNETE FRENO | ELECTRO-AIMANT FREIN | BRAKE ELECTROMAGNET | BREMSMAGNET | ELECTROMAGNETO FRENO | |
| 56 | 2287136 | DISCO FRENO | DISQUE FREIN | BRAKE DISK | BREMSSSCHEIBE | DISCO FRENO | |
| 57 | 2291458 | VENTOLA MOTORE | VENTILATEUR MOTEUR | MOTOR FAN | LÜFTER | VENTILADOR DEL MOTOR | |
| 58 | 2291246 | COPRIVENTOLA | CACHE-VENTILATEUR | FAN COVER | LÜFTERVERKLEIDUNG | CUBIERTA DE VENTILADOR | |
| 59 | 2223922 | DADO | ECROU | NUT | MUTTER | TUERCA | Autobl.MB12 |
| 61 | 2223705 | DADO | ECROU | NUT | MUTTER | TUERCA | M 12 |
| 62 | 2275092 | COPERCHIO SCATOLA ELETTRICA | COUVERCLE BOTIER ELECTRIQUE | CONTROL BOX COVER | KASTENDECKEL | CUBIERTA DE CAJA ELÉCTRICA | |
| 63 | 2287124 | MOLLA | RESSORT | SPRING | FEDER | MUELLE | |
| 65 | 2204452 | CUSCINETTO | PALIER | BEARING | LAGER | COJINETE | 6005 2Z |
| 66 | 2231215 | MOLLA A TAZZA | BAGUE ELASTIQUE | SPLIT RING | FEDER | MUELLE | |
| 67 | 2237340 | ANELLO ELASTICO | BAGUE ELASTIQUE | THRUST WASHER | AUSGLEICHRING | ANILLO ELÁSTICO | |
| 68 | 3213584 | CARCASSA E STATORE | CARCASSE DU STATOR | MOTOR STATOR | STÄNDER | CARCASA Y ESTATOR | |
| 69 | 2291480 | COPERCHIO MOTORE | COUVERCLE MOTEUR | MOTOR COVER | MOTORDECKEL | CUBIERTA DE MOTOR | |
| 70 | 2216327 | GUARNIZIONE | JOINT | GASKET | DICHTUNG | JUNTA | |



| TAV. 2 | I | F | GB | D | E | ET 300 | |
|--------|---------|------------------|--------------------|---------------------|---------------------|-------------------|--------------|
| | | | | | | 1140950 | |
| RIF. | COD. | ELEVATORE | ELEVEUR | HOIST | WINDE | ELEVADOR | NOTE |
| 71 | 2216331 | GUARNIZIONE | JOINT | GASKET | DICHTUNG | JUNTA | |
| 72 | 2227700 | ANELLO ARRESTO | BAGUE D'ARRÊT | CIRCLIP | ARRETIERRING | ANILLO DE PARADA | 7437 I/52 |
| 73 | 2289559 | FRENO A DISCO | FREIN { DISQUE | DISK BRAKE ASSEMBLY | SCHEIBENBREMSE | FRENO DE DISCO | |
| 74 | 2235461 | TAPPO OLIO | BOUCHON HUILE | OIL PLUG | ÖLSTOPFEN | TAPON ACEITE | |
| 75 | 3203565 | GUARNIZIONE | JOINT | GASKET | DICHTUNG | JUNTA | |
| 76 | 2237301 | DISTANZIALE | ENTRETOISE | SPACER | DISTANZRING | SEPARADOR | |
| 77 | 2222970 | VITE | VIS | SCREW | SCHRAUBE | TORNILLO | M5x160 |
| 78 | 2224206 | ROSETTA | RONDELLE | WASHER | UNTERLEGSCHIEBE | ARANDELA | 6592 12x36x4 |
| 79 | 2229310 | LINGUETTA | LANGUETTE | KEY | FEDER | LENGÜETA | 6x6x30 |
| 80 | 2222505 | VITE | VIS | SCREW | SCHRAUBE | TORNILLO | 5931 M5x30 |
| 81 | 2222018 | VITE | VIS | SCREW | SCHRAUBE | TORNILLO | 5737 M8x35 |
| 82 | 2224140 | ROSETTA | RONDELLE | WASHER | UNTERLEGSCHIEBE | ARANDELA | Ø 8x18 |
| 83 | 2224350 | ROSETTA ELASTICA | RONDELLE !LASTIQUE | SPRING WASHER | UNTERLEGSCHIEBE | ARANDELA ELÁSTICA | 6798A Ø 8 |
| 84 | 2223570 | DADO | ECROU | NUT | MUTTER | TUERCA | 5588 M8 |
| 88 | 2222470 | VITE SPECIALE | VIS | SCREW | SCHRAUBE | TORNILLO | |
| 89 | 2238680 | CUNEO PER CAVO | CONE POUR CABLE | WEDGE FOR ROPE | KEGEL FÜR STAHLSEIL | CUÑA PARA CABLE | |
| 90 | 2231420 | MOLLA | RESSORT | SPRING | FEDER | MUELLE | |



Comenzi la Tel.: 0757.101.819; 0749.166.035; 0740.333.887
 Service 0741.684.424; Fax 0249.451.311
 comenzi@maxjonel.ro; office@maxjonel.ro
 Sediul social si showroom:
 Strada Fratii Buzesti, nr. 76A, oras Bals, jud. Olt, 235100



| TAV. 2 | | I | F | GB | D | E | ET 300 |
|--------|---------|-----------------------------|------------------------------|-----------------------|------------------------|----------------------------|--------------|
| RIF. | COD. | ELEVATORE | ELEVATEUR | HOIST | WINDE | ELEVADOR | NOTE |
| 1 | 3213578 | TELAIO | CHÂSSIS | FRAME | GESTELL | BASTIDOR | |
| 2 | 2201723 | ALBERO TAMBURO | ARBRE TAMBOUR | DRUM SHAFT | TROMMELWELLE | EJE DE TAMBOR | |
| 3 | 2204550 | CUSCINETTO | PALIER | BEARING | LAGER | COJINETE | 6205 |
| 4 | 2203155 | SUPPORTO TAMBURO | SUPPORT TAMBOUR | DRUM SUPPORT | TROMMELLAGER | SOPORTE DE TAMBOR | |
| 5 | 2261356 | TAMBURO | TAMBOUR | DRUM | TROMMEL | TAMBOR | |
| 6 | 3203588 | LEVA FINECORSÀ SALITA | LEVIER DE FIN DE COURSE | LIMIT LEVER | HEBEL | PALANCA FINAL DE CARRERA | |
| 7 | 2214242 | CONTRAPPESO | CONTREPOIDS | CABLE WEIGHT | GEGENGEWICHT | CONTRAPESO | |
| 8 | 2212325 | FUNE ACCIAIO | CÂBLE EN ACIER | WIRE ROPE | STAHLSEIL | CABLE DE ACERO | |
| 9 | 2239400 | MORSETTO | BORNE | CLAMP | KLEMME | BORNE | |
| 10 | 2206002 | BOZZELLO A CUNEO | CÔNE POUR CÂBLE | WEDGE BLOCK | SEILBLOK | GARRUCHA EN FORMA DE CUÑ | |
| 11 | 2213267 | GANCIO | CROCHET | HOOK | ZUGHAKEN | GANCHO | |
| 12 | 2229400 | LINGUETTA | LANGUETTE | KEY | FEDER | LENGÜETA | 6604 8X7X30 |
| 13 | 2207355 | ANELLO PARAOLIO | BAGUE D'ÉTANCHÉITÉ | OIL SEAL RING | ÖLABDICHTUNG | ANILLO DE RETIN | 52x25x7 |
| 15 | 2237299 | DISTANZIALE | ENTRETOISE | SPACER | DISTANZRING | SEPARADOR | |
| 16 | 2202568 | INGRANAGGIO | ENGRENAGE | GEAR | ZAHNRAD | ENGRANAJE | Z.76 M2 |
| 17 | 2227280 | ANELLO ARRESTO | BAGUE D'ARRÊT | CIRCLIP | ARRETIERRING | ANILLO DE PARADA | 7435 E/25 |
| 18 | 2229450 | LINGUETTA | LANGUETTE | KEY | FEDER | LENGÜETA | 8x7x20 |
| 19 | 2235420 | LIVELLO OLIO | NIVEAU HUILE | OIL LEVEL PLUG | SCHAUGLAS | NIVEL ACEITE | |
| 20 | 2202567 | INGRANAGGIO | ENGRENAGE | GEAR | ZAHNRAD | ENGRANAJE | Z.76 M1.75 |
| 21 | 3213481 | INGRANAGGIO | ENGRENAGE | GEAR | ZAHNRAD | ENGRANAJE | Z.26 M2 |
| 22 | 2201130 | ALBERO PIGNONE | ARBRE PIGNON | PINION SHAFT | RITZELWELLE | EJE DEL PIGNON | |
| 23 | 2229327 | LINGUETTA | LANGUETTE | KEY | FEDER | LENGÜETA | 6x6x40 |
| 24 | 2204440 | CUSCINETTO | PALIER | BEARING | LAGER | COJINETE | 6004 |
| 25 | 2236555 | FLANGIA RIDUTTORE | BRIDE RÉDUCTEUR | REDUCTION GEAR FLANGE | FLANSCH | BRIDA DEL REDUCTOR | |
| 26 | 2215165 | CARCASSA RIDUTTORE | CARCASSE RÉDUCTEUR | REDUCTION GEAR CASING | GETRIEBEGEHÄUSE | CARCASA DEL REDUCTOR | |
| 27 | 3213484 | TARGA MOTORE | PLAQUETTE | RATING PLATE | SCHILDERKIT | CHAPA DE MATRICULA | |
| 28 | 2204391 | CUSCINETTO | PALIER | BEARING | LAGER | COJINETE | 6205 2z |
| 29 | 3213478 | ROTORE | ROTOR | ROTOR | LÄUFER | ROTOR | |
| 30 | 3213580 | MOTORE ELETTRICO | MOTEUR | ELECTRIC MOTOR | KOMPLETTER MOTOR | MOTOR | |
| 31 | 3213581 | LEVA FRENO | LEVIER FREIN | BRAKE LEVER | HEBEL | PALANCA FRENO | |
| 32 | 2231507 | MOLLA FRENO | RESSORT | SPRING | FEDER | MUELLE | |
| 33 | 2253871 | PISTONE FRENO | FREIN | BRAKE | BREMSE | FRENO | |
| 34 | 2211600 | RUOTINA | ROUE | WHEEL | RAD | RUEDA | |
| 35 | 2222099 | VITE | VIS | SCREW | SCHRAUBE | TORNILLO | 5737 M10x40 |
| 36 | 2204482 | CUSCINETTO | PALIER | BEARING | LAGER | COJINETE | 6203 |
| 37 | 2224355 | ROSETTA ELASTICA | RONDELLE ELASTIQUE | SPRING WASHER | UNTERLEGSCHLEIBE | ARANDELA ELÁSTICA | 6798A Ø 10 |
| 39 | 2223650 | DADO | ECROU | NUT | MUTTER | TUERCA | 5588 M10 |
| 43 | 2222460 | VITE | VIS | SCREW | SCHRAUBE | TORNILLO | M4x12 |
| 44 | 2288791 | RIVETTO | RIVET | RIVET | ALIUNET | REMACHE | |
| 45 | 3213583 | TARGA ELEVATORE | PLAQUETTE | RATING PLATE | SCHILDERKIT | CHAPA DE MATRICULA | |
| 47 | 3203503 | SPINA A PARETE | FICHE D'ÉTANCHÉITÉ | ELECTRIC CONNECTOR | STECKER | ENCHUFE DE PARED | V230 IP67 |
| 48 | 2285306 | CONDENSATORE | CONDENSATEUR | CAPACITOR | KONDENSATOR | CONDENSADOR | 45 µF, 450 V |
| 49 | 3213592 | CASSETTA ELETTRICA | BOTIER ÉLECTRIQUE | JUNCTION BOX | GEHÄUSE | CAJA ELICTRICA | |
| 51 | 3200005 | FINECORSÀ SALITA | FIN DE COURSE MONTEE | UP LIMIT SWITCH | ENDSCHALTER SENKEN | FINAL DE CARRERA SUBIDA | |
| 52 | 2286340 | FINECORSÀ DISCESA | FIN DE COURSE DESCENTE | DOWN LIMIT SWITCH | ENDSCHALTER SENKEN | FINAL DE CARRERA BAJADA | |
| 53 | 2223920 | DADO AUTOBLOCCANTE | ECROU DE SURETE | SELF LOCKING NUT | SELBSTSICHERNDE MUTTER | TUERCA AUTOBLOQUEANTE | M.10 |
| 54 | 3213053 | RADDRIZZATORE FRENO | ELECTRO-AIMANT FREIN | BRAKE RECTIFIER | BREMSENSPESEGERÄT | RECTIFICADOR FRENO | |
| 55 | 2287145 | ELETTROMAGNETE FRENO | ELECTRO-AIMANT FREIN | BRAKE ELECTROMAGNET | BREMSMAGNET | ELECTROMAGNETO FRENO | |
| 56 | 2287136 | DISCO FRENO | DISQUE FREIN | BRAKE DISK | BREMSSCHEIBE | DISCO FRENO | |
| 57 | 2291458 | VENTOLA MOTORE | VENTILATEUR MOTEUR | MOTOR FAN | LÜFTER | VENTILADOR DEL MOTOR | |
| 58 | 2291246 | COPRIVENTOLA | CACHE-VENTILATEUR | FAN COVER | LÜFTERVERKLEIDUNG | CUBIERTA DE VENTILADOR | |
| 59 | 2223922 | DADO | ECROU | NUT | MUTTER | TUERCA | Autobi.MB12 |
| 60 | 2223923 | DADO AUTOBLOCCANTE | ECROU DE SURETE | SELF LOCKING NUT | SELBSTSICHERNDE MUTTER | TUERCA AUTOBLOQUEANTE | M.8 |
| 61 | 2223705 | DADO | ECROU | NUT | MUTTER | TUERCA | M 12 |
| 62 | 2275092 | COPERCHIO SCATOLA ELETTRICA | COUVERCLE BOITIER ELECTRIQUE | CONTROL BOX COVER | KASTENDECKEL | CUBIERTA DE CAJA ELÉCTRICA | |
| 63 | 2287124 | MOLLA | RESSORT | SPRING | FEDER | MUELLE | |
| 65 | 2204452 | CUSCINETTO | PALIER | BEARING | LAGER | COJINETE | 6005 2Z |
| 66 | 2231215 | MOLLA A TAZZA | BAGUE ELASTIQUE | SPLIT RING | FEDER | MUELLE | |
| 67 | 2237340 | ANELLO ELASTICO | BAGUE ELASTIQUE | THRUST WASHER | AUSGLEICHRING | ANILLO ELÁSTICO | |
| 68 | 3213584 | CARCASSA E STATORE | CARCASSE DU STATOR | MOTOR STATOR | STÄNDER | CARCASA Y ESTATOR | |
| 69 | 2291480 | COPERCHIO MOTORE | COUVERCLE MOTEUR | MOTOR COVER | MOTORDECKEL | CUBIERTA DE MOTOR | |
| 70 | 2216327 | GUARNIZIONE | JOINT | GASKET | DICHTUNG | JUNTA | |
| 71 | 2216331 | GUARNIZIONE | JOINT | GASKET | DICHTUNG | JUNTA | |
| 72 | 2227700 | ANELLO ARRESTO | BAGUE D'ARRÊT | CIRCLIP | ARRETIERRING | ANILLO DE PARADA | 7437 I/52 |
| 73 | 2289559 | FRENO A DISCO | FREIN (DISQUE | DISK BRAKE ASSEMBLY | SCHLEIBENBREMSE | FRENO DE DISCO | |
| 74 | 2235461 | TAPPO OLIO | BOUCHON HUILE | OIL PLUG | ÖLSTOPFEN | TAPON ACEITE | |
| 75 | 3203565 | GUARNIZIONE | JOINT | GASKET | DICHTUNG | JUNTA | |
| 76 | 2237301 | DISTANZIALE | ENTRETOISE | SPACER | DISTANZRING | SEPARADOR | |
| 77 | 2222970 | VITE | VIS | SCREW | SCHRAUBE | TORNILLO | M5x160 |
| 78 | 2224206 | ROSETTA | RONDELLE | WASHER | UNTERLEGSCHLEIBE | ARANDELA | 6592 12x36x4 |
| 79 | 2229310 | LINGUETTA | LANGUETTE | KEY | FEDER | LENGÜETA | 6x6x30 |



| TAV. 2 | | I | F | GB | D | E | ET 300 |
|--------|---------|------------------------|-------------------------|-----------------------------|---------------------|--------------------------|-------------|
| | | ELEVATORE | ELEVATEUR | HOIST | WINDE | ELEVADOR | 1140951 |
| RIF. | COD. | | | | | | NOTE |
| 80 | 2222505 | VITE | VIS | SCREW | SCHRAUBE | TORNILLO | 5931 M5x30 |
| 81 | 2222018 | VITE | VIS | SCREW | SCHRAUBE | TORNILLO | 5737 M8x35 |
| 82 | 2224140 | ROSETTA | RONDELLE | WASHER | UNTERLEGSCHIEBE | ARANDELA | Ø 8x18 |
| 83 | 2224350 | ROSETTA ELASTICA | RONDELLE ELASTIQUE | SPRING WASHER | UNTERLEGSCHIEBE | ARANDELA ELÁSTICA | 6798A Ø 8 |
| 84 | 2223570 | DADO | ECROU | NUT | MUTTER | TUERCA | 5588 M8 |
| 86 | 3203589 | LEVA FINECORSA DISCESA | LEVIER DE FIN DE COURSE | DOWN POSITION CONTROL LEVER | HEBEL | PALANCA FINAL DE CARRERA | 6592 Ø10x20 |
| 88 | 2222470 | VITE SPECIALE | VIS | SCREW | SCHRAUBE | TORNILLO | |
| 89 | 2238680 | CUNEO PER CAVO | CONE POUR CABLE | WEDGE FOR ROPE | KEGEL FÜR STAHLSEIL | CUÑA PARA CABLE | |
| 90 | 3203587 | MOLLA | RESSORT | SPRING | FEDER | MUELLE | |
| 100 | 3213593 | SUPPORTO TELECOM. | PLAQUE TÉLÉCOMM. | PLATE | PLATTE | PLACE DE TELECOM. | |
| 105 | 3203596 | FUSIBILE | FUSIBLE | FUSE | SICHERUNG | FUSIBLE | 5x10 1A |
| 106 | 3203597 | PORTAFUSIBILE | PORTEFUSIBLE | TERMINAL | POLKLEMME | BORNE | |
| 112 | 3203998 | TRASFORMATORE | TRANSFORMATEUR | TRANSFORMER | TRANSFORMATOR | TRANSFORMADOR | |
| 113 | 3203999 | RELE' | RELAIS | RELAY | RELAIS | RELÉ | |
| 114 | 3203997 | CASSETTA ELETTRICA | BOITIER ÉLECTRIQUE | JUNCTION BOX | GEHÄUSE | CAJA ELÉCTRICA | |
| 115 | 3213002 | PULSANTIERA | BOITE À BOUTONS | CONTROL BOARD | STEUERSCHALTER | BOTONERA | |

